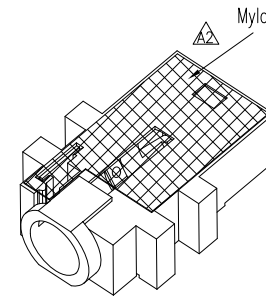
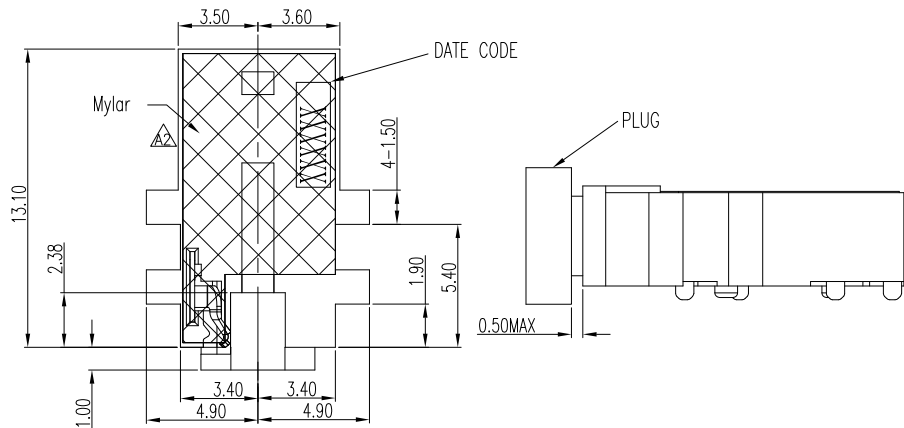


THE INFORMATION CONTAINED IN THIS DOCUMENT IS PROPRIETARY TO JEN JIA PRECISION TECHNOLOGY CO.,LTD. ANY REPRODUCTION IN PART OR WHOLE WITHOUT PRIOR WRITTEN APPROVAL OR AUTHORIZATION OF JEN JIA PRECISION TECHNOLOGY CO.,LTD IS STRICTLY PROHIBITED.

RoHS COMPLIANT

REVISIONS

REV	ECN NO.	DESCRIPTION	APPROVED BY	DATE
1		PROPOSAL DRAWING	Helly Luo	2018-01-22
2	△	UPDATED	Helly Luo	2018-04-10
3		UPDATED PACKING	Helly Luo	2018-09-11



Notes:

1.Material&Finish:

1.1 Housing:High Temperature Thermoplastic UL94V-0; Color Black.

1.2 Terminal:Copper Alloy,T=0.20; Contact Area:Gold Flash

Solder Area:Gold Flash or Matte Tin 120U" Over all Nickel 50U"

1.3 Mylar:Kapton 0.06MM.

2.Speciality:

2.1 Rated Current:1.0A

2.2 Rated Voltage:12V

2.3 Contact Resistance:50mΩ MAX(Initial)

2.4 Insulation Resistance:100MΩ MIN

2.5 Dielectric Withstanding Voltage: 500V AC.

2.6 Durability:2000 Cycles Min.

2.7 Mating Force:0.8-3.0kgf(Initial)

2.5kgf max(after Durability test)

Unmating Force:0.6-1.8kf(Initial)

0.5kgf min(after Durability test)

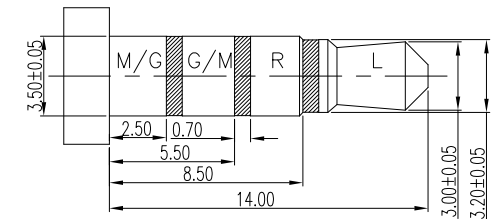
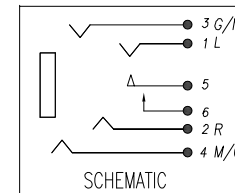
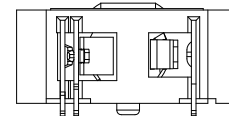
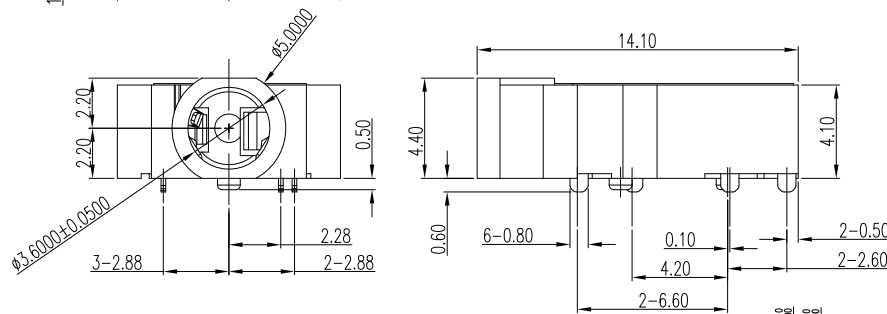
3.PART NUMBER:81JK22M06 X 1 R

CONTACT FINISH

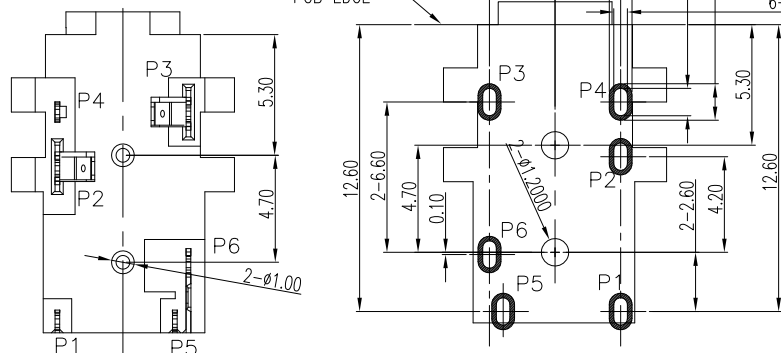
1:10u"GOLD

2:GOLD FLASH

R: TAPE & REEL



RECOMMENDED PLUG  
ø3.5 4 POLE STANDARD PLUG



RECOMMENDED PCB LAYOUT  
TOLERANCE:±0.05

DO NOT SCALE DRAWING

DIMENSIONS:  
 MM [INCH]  INCH [MM]  MM ONLY  
 UNLESS OTHERWISE SPECIFIED, GENERAL TOLERANCE:  
 DECIMALS ANGLES  
 X. ±0.45 X' ±5"  
 .X ±0.35 X' ±2"  
 .XX ±0.25

CAD GENERATED DRAWING, DO NOT MANUALLY UPDATE

THIRD ANGLE PROJECTION

**JJP** Jen Jia Precision Technology Co., Ltd.

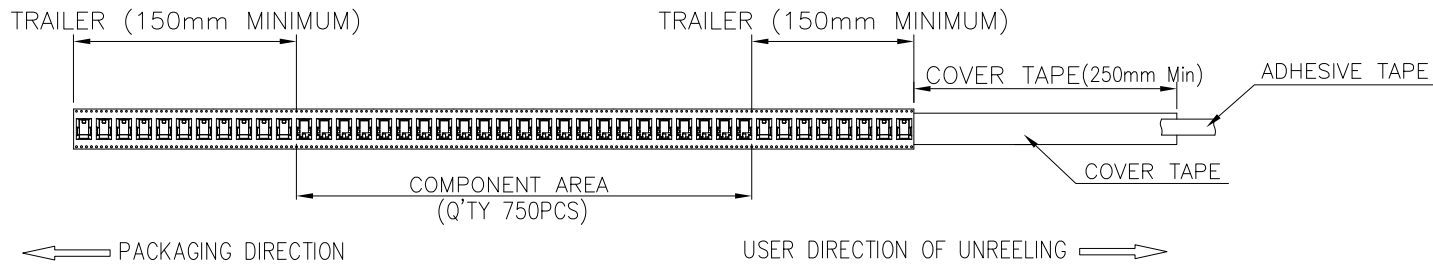
TITLE	ø3.5 AUDIO JACK DIP TYPE		
PART NO.	81JK22M06X1R	APPROVED BY	JASON MENG
DRAWING NO.	81JK22M06X1R	CHECKED BY	STEVEN LIU
MATERIAL		DRAWN BY	Helly Luo
FINISH		GENERATD DATE	2018-01-22
SCALE	SHEET	REV.	SIZE: A4
FREE	1/2	3	FILE NO.:JJP-A-05-003

THE INFORMATION CONTAINED IN THIS DOCUMENT IS PROPRIETARY TO JEN JIA PRECISION TECHNOLOGY CO.,LTD. ANY REPRODUCTION IN PART OR WHOLE WITHOUT PRIOR WRITTEN APPROVAL OR AUTHORIZATION OF JEN JIA PRECISION TECHNOLOGY CO.,LTD IS STRICTLY PROHIBITED.

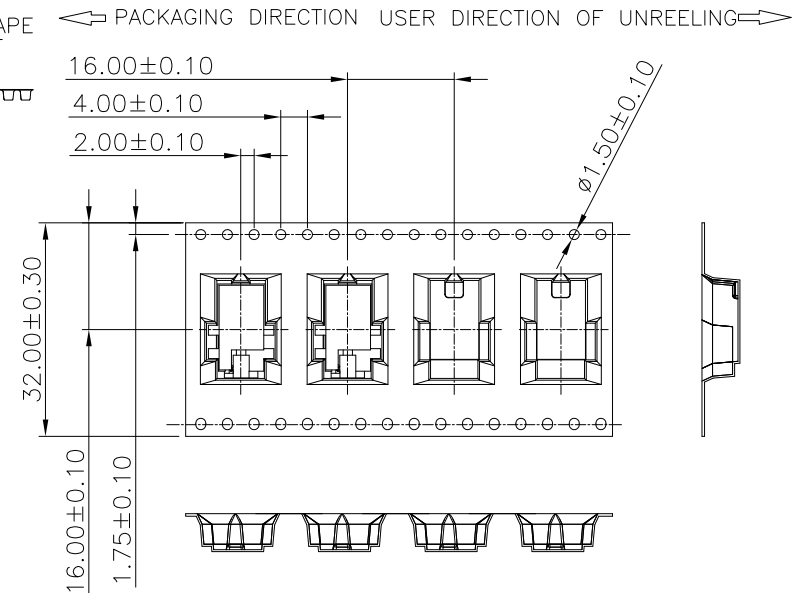
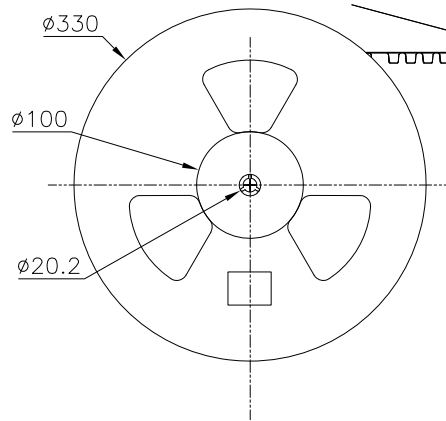
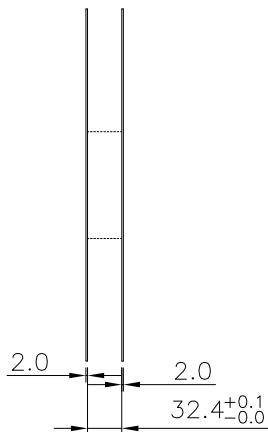
RoHS COMPLIANT

REVISIONS

REV	ECN NO.	DESCRIPTION	APPROVED BY	DATE
1		PROPOSAL DRAWING	Helly Luo	2018-01-22
2	△	UPDATED	Helly Luo	2018-04-10
3		UPDATED PACKING	Helly Luo	2018-09-11



COVER TAPE PEELING ANGLE: 165°~180°  
PEELING FORCE: 80~130g



DO NOT SCALE DRAWING

1	81JK22M06X1R	750	9	6750	340X340X350
ITEM	PRODUCT No.	Q'TY/REEL	REEL/CARTON	Q'TY/CARTON	CARTON SIZE

DIMENSIONS:  
 MM [INCH]    INCH [MM]    MM ONLY

UNLESS OTHERWISE SPECIFIED,  
GENERAL TOLERANCE:

DECIMALS      ANGLES  
X: ±0.30      X: ±5°  
.X: ±0.20      .X: ±3°

CAD GENERATED DRAWING,  
DO NOT MANUALLY UPDATE

THIRD ANGLE PROJECTION



**JJP** Jen Jia Precision Technology Co., Ltd.

TITLE		3.5φmm AUDIO JACK DIP TYPE	
PART NO.	81JK22M06X1R	APPROVED BY	JASON MENG
DRAWING NO.	81JK22M06X1R	CHECKED BY	STEVEN LIU
MATERIAL		DRAWN BY	Helly Luo
FINISH		GENERATD DATE	2018-01-22
SCALE	FREE	SHEET	2/2
REV.	3	SIZE:	A4
		FILE NO.:	JJP-A-05-003